



PEATSA

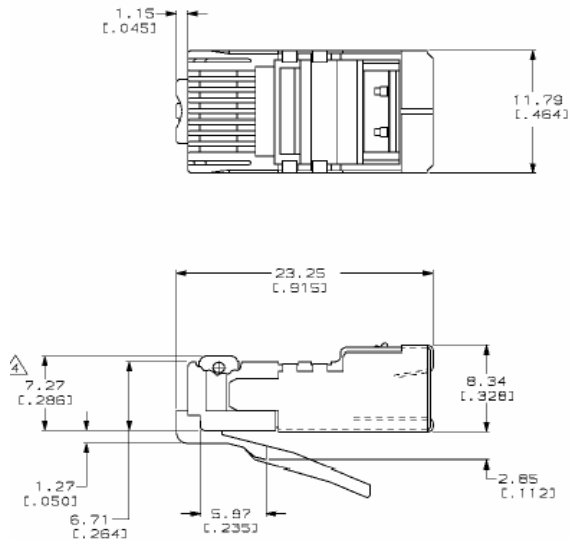
Lauro Aguirre No. 32-203 . Col. Agricultura . México, D.F. 11360
www.peatsa.com Tels. 5342-1586 . 5341-8757
 contacto@peatsa.com
 Messenger: redes_peatsa@hotmail.com



5-569530-3

Características

Type: RJ45 8 VIAS BLINDADO
AWG 24/26
Max. O.D. .200
Vendor No. 5-569530-3 PAQUETE DE 100 PIEZAS



- ⚠ DIMENSIONS ARE MAXIMUM UNLESS OTHERWISE SPECIFIED.
- ⚠ MATERIAL: HOUSING-POLYCARBONATE, CLEAR TERMINAL- PHOSPHOR BRONZE, PLATED WITH 1.27μm [C.000050] MINIMUM THICK GOLD IN LOCALIZED GOLD PLATE AREA, GOLD FLASH OVER THE REMAINDER, OVER 2.54μm [C.000100] MINIMUM THICK NICKEL UNDERPLATE. SHIELD- COPPER ALLOY PLATED WITH 2.03μm [C.000080] MINIMUM THICK TIN LEAD OVER 2.03μm [C.000080] MINIMUM THICK COPPER UNDERPLATE.
- 3. PLUG WILL ACCEPT 24 OR 26 AWG SOLID WIRE, 0.74-0.99 [C.029-.039] DIAMETER, WITH A 5.08 [C.200] DIAMETER MAXIMUM JACKET.
- ⚠ TERMINATED DIMENSION 6.15 [C.242] MAXIMUM.
- ⚠ PACKAGED 500 ASSEMBLIES PER CARTON.
- ⚠ PACKAGED 100 ASSEMBLIES PER BOX.
- ⚠ PACKAGED 25 ASSEMBLIES PER POLYBAG.

⚠	5-569530-4
⚠	5-569530-3
⚠	5-569530-2
⚠	PACKAGED PART NO.

NO WARRANTY EXPRESSE OR IMPLIED WARRANTY OF MERCHANTABILITY		AWG	S. GARRETT 10-08-95	AMP	AMP Incorporated
DIMENSIONS: 0.0005 INCHES (0.0127 MM)		DR	10-30-95	Harrisburg, PA 17105-2608	
MATERIAL: PLASTIC		FINISH	WHIT	PART NO.	
MATERIAL: PLASTIC		FINISH: PLATED	11-E-95	MODULAR PLUG ASSEMBLY, 8 POSITION, SHIELDED ROUND CABLE, SOLID WIRE	
MATERIAL: PLASTIC		FINISH: PLATED	108-1163	S118 00779 5-569530	
MATERIAL: PLASTIC		FINISH: PLATED	114-S016	S118 00779 5-569530	
MATERIAL: PLASTIC		FINISH: PLATED		S118 00779 5-569530	