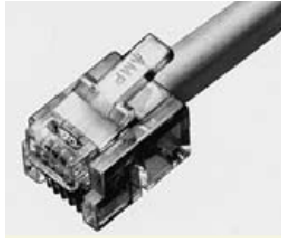




PEATSA

Lauro Aguirre No. 32-203 . Col. Agricultura . México, D.F. 11360
www.peatsa.com Tels. 5342-1586 . 5341-8757
 contacto@peatsa.com
 Messenger: redes_peatsa@hotmail.com

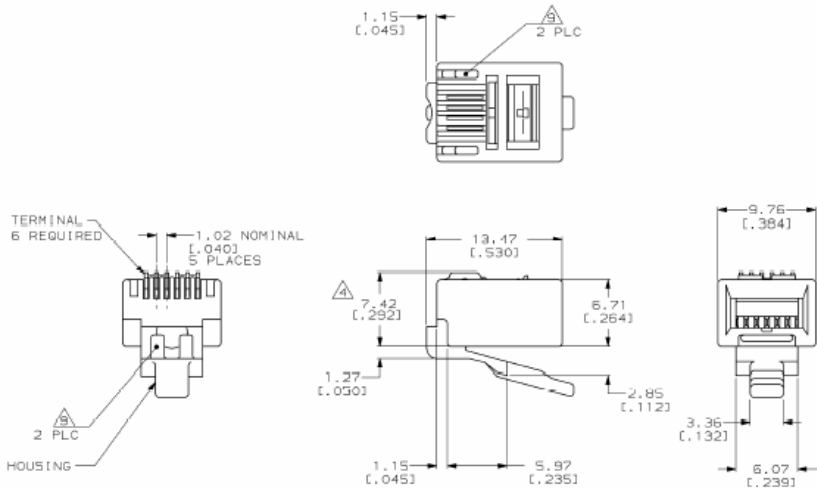


5-555042-3

Connectors and Splices - 6-Position Category 3 Modular Plugs

REVISIONS
 THIS DRAWING IS UNPUBLISHED. RELEASED FOR PUBLICATION .19
 COPYRIGHT 19 BY AMP INCORPORATED. ALL INTERNATIONAL RIGHTS RESERVED.

REV	DATE	BY	CHKD	APPD	REVISIONS	DATE	BY
AA	22				M 08516/3, EC 0502-0843-97	20MAY98	BS



- ⚠ DIMENSIONS ARE MAXIMUM UNLESS OTHERWISE SPECIFIED.
- ⚠ MATERIAL: HOUSING-POLYCARBONATE, CLEAR. TERMINAL-0.361(.014) THICK PHOSPHOR BRONZE PLATED WITH 1.27μ(.000050) THICK GOLD IN LOCALIZED GOLD PLATE AREA, GOLD FLASH OVER THE REMAINDER, OVER 2.54μ(.000100) THICK NICKEL UNDERPLATE.
- ⚠ PLUG WILL ACCEPT 24 OR 26 AWG SOLID WIRE HAVING AN INSULATION DIAMETER RANGE OF 0.89-0.99(.035-.039) AND A MAXIMUM OVAL CABLE JACKET OF 2.29 X 6.61 (.09 X .260).
- ⚠ TERMINATED DIMENSION 6.15(.242) MAXIMUM.
- ⚠ PACKAGED 1000 ASSEMBLIES PER BOX.
- ⚠ PACKAGED 100 ASSEMBLIES PER BOX, 10 BOXES PER CARTON.
- ⚠ PACKAGED 25 ASSEMBLIES PER POLYBAG, 40 POLYBAGS PER CARTON.
- ⚠ REELED PRODUCT ON STRIP DOES NOT HAVE VOID CORING ILLUSTRATED ON THIS DRAWING.

⚠	5-555042-4
⚠	5-555042-3
⚠	5-555042-2
⚠	555042-1

DR	YTP/UTA	AMP	AMP Incorporated
DR 9-3-93	YTP/UTA	AMP	AMP Incorporated
CHK 9-15-93	C. WILIT	AMP	Harrisburg, PA 17105-3608
APPD 9-20-93	J. TONEY	NAME	
PRODUCT SPEC 109-1163	H. KOBURATH	MODULAR PLUG ASSEMBLY, 6 POSITION, SOLID WIRE	
APPLICATION SPEC 114-6016	SIZE	CASE CODE	DRAWING NO
WEIGHT	SCALE	00779	5-555042
		4:1	SHEET 1 OF 1

THIS DRAWING IS A CONTROLLED DOCUMENT FOR AMP CORPORATION. IT IS SUBJECT TO CHANGE AND THE CONTROLLING ENGINEERING DEPARTMENT SHOULD BE CONTACTED FOR THE LATEST REVISION.